

# Boardroom

**RULES:** Practical Shooting Handbook, Latest Edition      **COURSE DESIGNER:** Brad Sitton

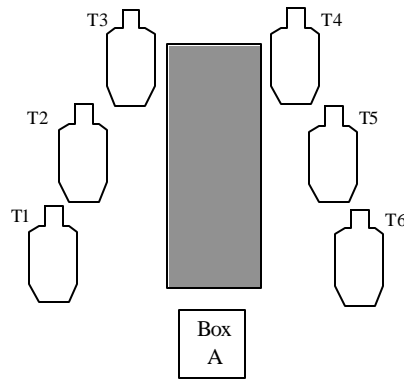
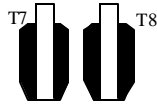
**START POSITION:** Standing in Box A, hands flat on table (palms)

### STAGE PROCEDURE

On Audible start, from Box A, engage T1-T6 with 1 round each, perform a mandatory reload and engage T1-T6 with 1 round. Perform another mandatory reload and engage T7-T8 with 2 rounds each.

### SCORING

**SCORING:** Comstock, 16 rounds, 80 points  
**TARGETS:** 8 IPSC, 0 PP, 0 USP  
**SCORED HITS:** Best per IPSC, steel down = 1A  
**START-STOP:** Audible - Last shot  
**PENALTIES:** Procedural. -10  
No-shoot hit. -10  
Miss. -10



**SETUP NOTES:** T1-T6 are 5 feet at shoulder, T7-T8 are set at ground level

**RO NOTES:**