

New Math

RULES: Practical Shooting Handbook, Latest Edition **COURSE DESIGNER:** Brad Sitton

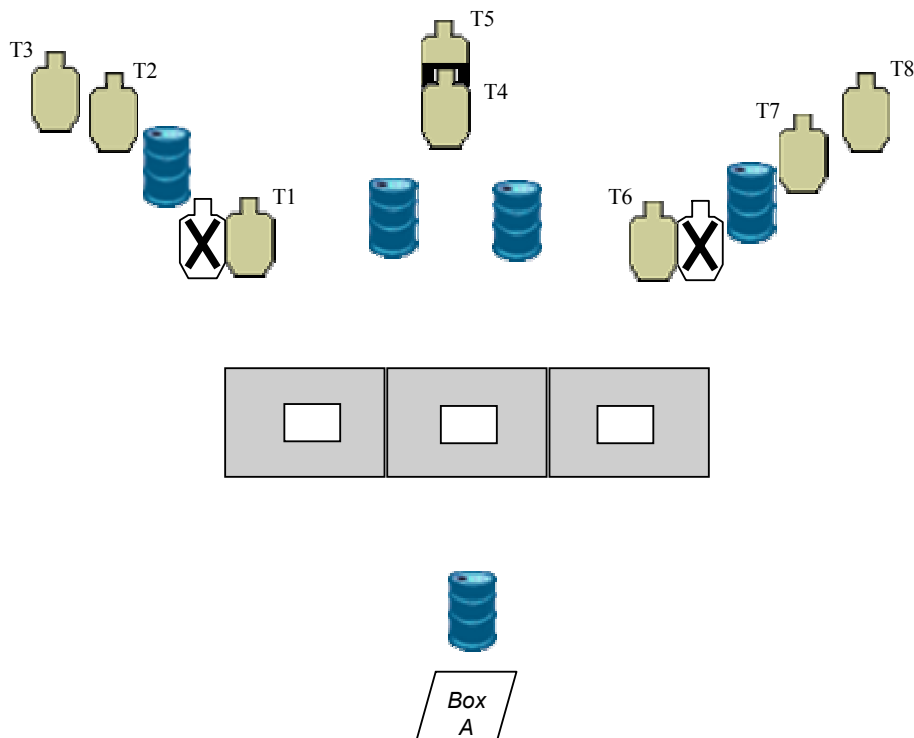
START POSITION: Standing in Box A facing downrange, hands at sides

STAGE PROCEDURE

On audible start, engage all targets with 3 rounds each as they become visible through the ports. All shots must pass through a port

SCORING

SCORING: Comstock, 24 rounds, 120 points
TARGETS: 8 IPSC
SCORED HITS: 3 Best per IPSC, steel down = 1A
START-STOP: Audible - Last shot
PENALTIES: Procedural. -10
No-shoot hit. -10
Miss. -10



SETUP NOTES: T4, T5, only visible from center port.

T2, T3 only visible from left port, and T7, T8 only visible from right port. T1 visible from left and center port, and T6 is visible from center and right port

RO NOTES: