

RULES: Practical Shooting Handbook, Latest Edition

COURSE DESIGNER: 2002 USPSA Nationals Staff

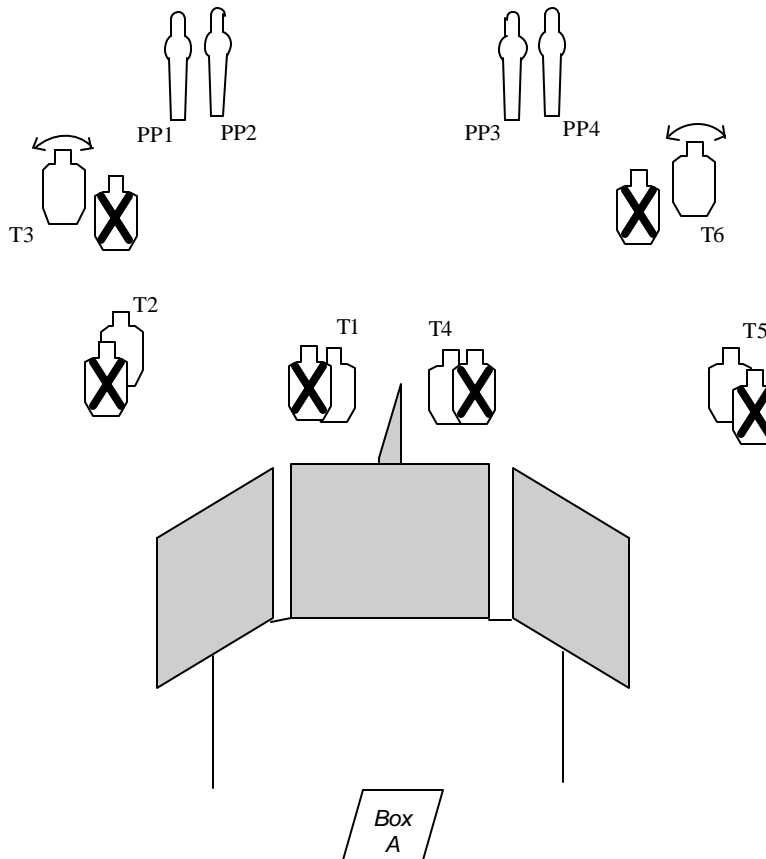
START POSITION: Standing in Box A, facing downrange with both hands cupped over eyes

STAGE PROCEDURE

At audible start engage all targets as they become visible from within the fault and charge lines. Targets T3 and T6 are swinging targets that remain visible at rest. T3 is activated by PP2. T6 is activated by PP4.

SCORING

SCORING: Comstock, 16 rounds, 80 points
TARGETS: 6 IPSC, 4 PP
SCORED HITS: Best per IPSC, steel down = 1A
START-STOP: Audible - Last shot
PENALTIES: Procedural. -10
 No-shoot hit. -10
 Miss. -10



SETUP NOTES: Set openings in walls at 12" wide. Set no-shoots at T3 and T6 to cover target before activation.

RO NOTES: