

Watch Your Sight

RULES: Practical Shooting Handbook, Latest Edition **COURSE DESIGNER:** Robert Russell

START POSITION: Standing in Box A, facing downrange, hands above respective shoulders.

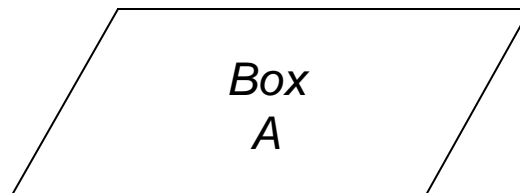
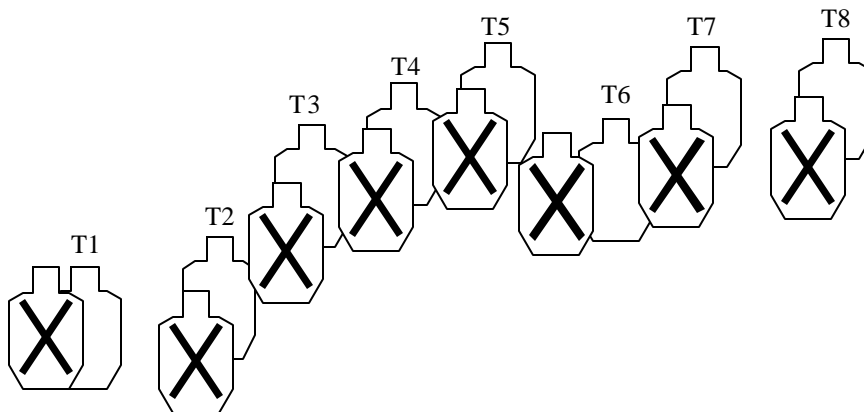
STAGE PROCEDURE

On signal, engage T1-T8 with one round each, perform a mandatory reload, re-engage T1-T8 with one round each. All shots must be fired from within Box A.

Stage From Limited Nationals 2000

SCORING

SCORING: Virginia count, 16 rounds, 80points
TARGETS: 8 IPSC, USP, PP
SCORED HITS: Best 2 per IPSC
START-STOP: Audible - Last shot
PENALTIES: Procedural. -10
No-shoot hit. -10
Extra shot. -10
Extra hit. -10
Miss. -10



SETUP NOTES:

RO NOTES:

